

REV	DATE	AUTH	DESCRIPTION
A	06-09-2020	TC	ADDED FIGURE 3 DRAWING. ADDED CL2310 AND CL2366 TO PRODUCT TABLE. ADDED "IF APPLICABLE" TO WIRE LEADS NOTE. ECR4880.

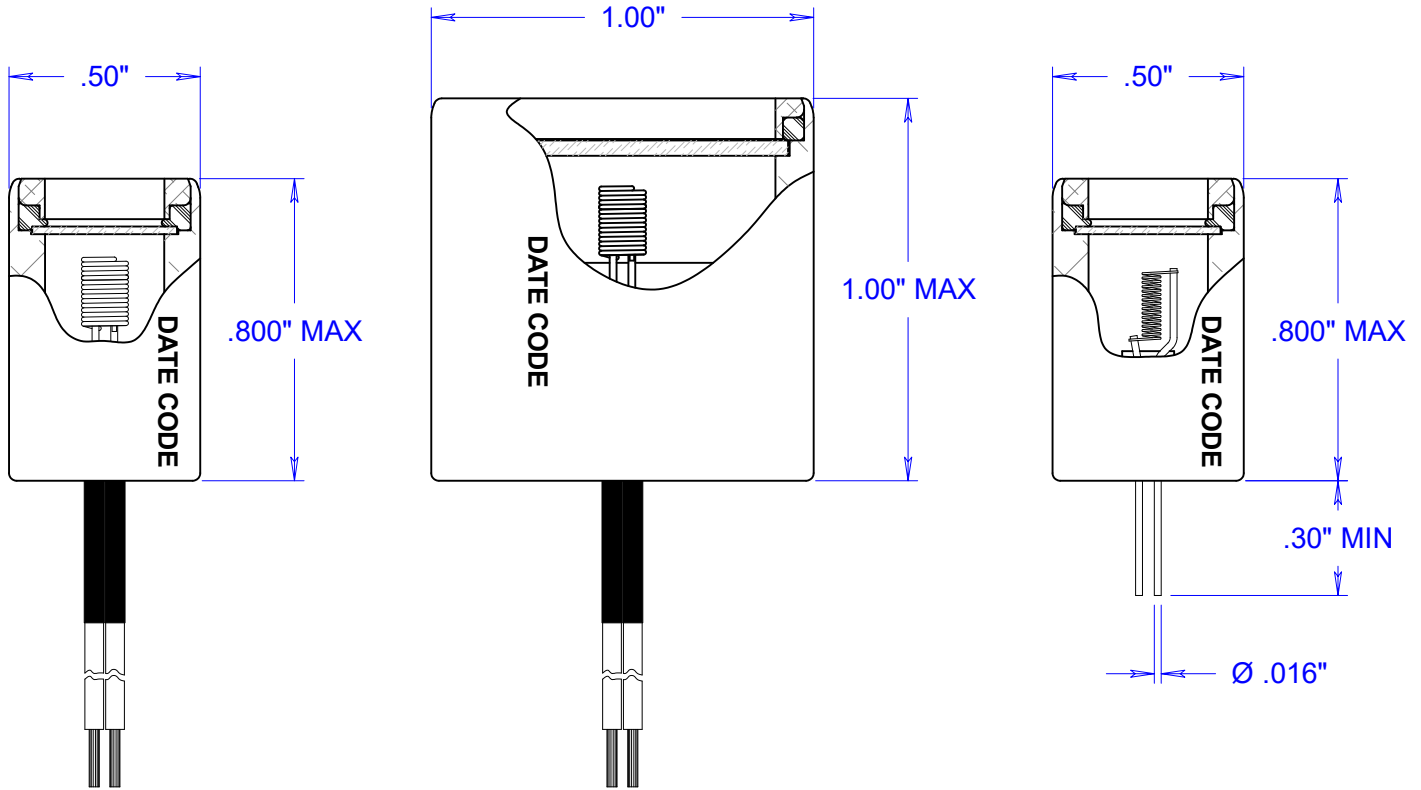


FIGURE 1

FIGURE 2

FIGURE 3

ALL INCORPORATE:

- ALUMINUM BODIES (PARABOLIC)
- ARGON GAS FILLED
- FILAMENT TEMP: 975°C
- LIFE HOURS: 2000
- 4.0" 22 AWG STRANDED WIRE TEFLON LEADS (IF APPLICABLE)

IR SOURCE	VOLTS	AMPS	WATTS	WINDOW TYPE	FIGURE
CL919	5.0	.50	2.5	SAPPHIRE	1
CL981	5.0	.50	2.5	ZINC SELENIDE	1
CL1120	5.0	1.50	7.5	SAPPHIRE	1
CL921	5.0	1.50	7.5	SAPPHIRE	2
CL982	5.0	1.50	7.5	ZINC SELENIDE	2
CL2310	5.0	.50	2.5	SAPPHIRE	3
CL2366	5.0	.50	2.5	ZINC SELENIDE	3

TITLE

.5" & 1." IR SOURCES



TOLERANCES UNLESS OTHERWISE SPECIFIED 1 PLACE DEC. ±.030" ANGLES ±.50° AMPERES ±10% 2 PLACES DEC. ±.010" CANDLE POWER ±15% 3 PLACES DEC ±.005 FILAMENT TEMP ±50°K COLOR	DRAWN HF	DATE 02-23-2017	REV A	DRWG. NO. 40646
	CHECKED TC	SCALE 2X		